

SATCOM ANTENNA

DM SE109 SERIES PORTABLE UHF ANTENNA SYSTEM



The DM SE109-1 portable UHF Satcom antenna system is the latest innovation in high gain, lightweight portable manpack antennas from a proven manufacturer. The DM SE109-1 combines the high reliability and maximum portability of the DM C120 umbrella antenna system with an increase in antenna gain over the satellite frequency band of 244 to 318 MHz. A rapidly deployable antenna extension has been added to ensure reliable communications regardless of satellite intercept angle or atmospheric condition.

Design improvements, in addition to the gain enhancement, include:

- An input connector with a pigtail cable to allow for easy access and cost effective repair.
- Improved ground plane.
- Improved tripod antenna adjustment interface.

SPECIFICATIONS

ELECTRICAL	Frequency Range	240 – 400 MHz	
	VSWR	1.5:1	
	Gain	Basic Antenna	+7.0 dBic nominal
		with Antenna Extensions	+8.5 dBic at 244 MHz +11.0 dBic at 318 MHz
	Power		200 Watts
	Polarization		R.H.C.P.
	Impedance		50 Ohms
	3 dB Beamwidth	85 degrees (Nominal)	
MECHANICAL	Input Connector	BNC Male	
	Deployment Time	Less than one min	
	Weigth (System)	6 lbs (Nominal)	
	Operating Temperature	-25°F to +160°F	
	Storage Temperature	-54°F to +250°F	
	Wind Loading	80 MPH with Ballast	
	Color	Lusterless Black	
	Cable Length	12.5'	

SYSTEM COMPONENTS

DM C120-6-1	Antenna
DM TS3-1-1	Tripod
DM U244-1-1	Antenna Extensions
DM CC5-2-1	Carrying Case
DM 1100015-001	Cables (2)

Specifications subject to change without notice.

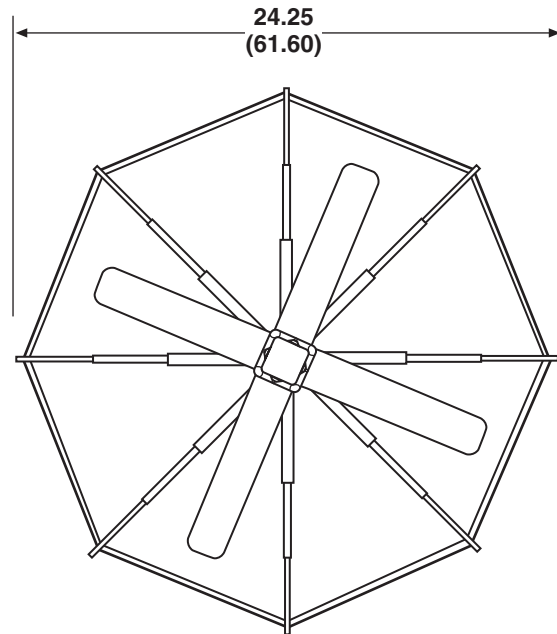
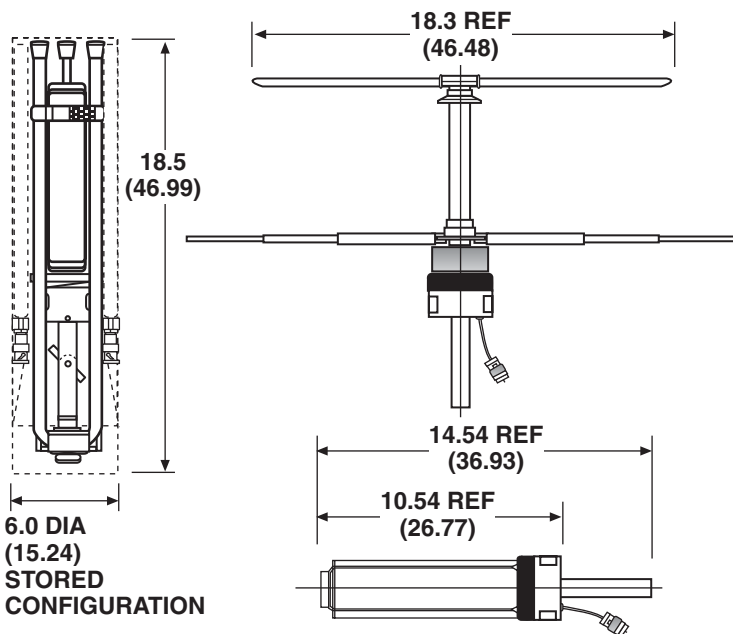
1099-341 (M30)

SATCOM ANTENNA

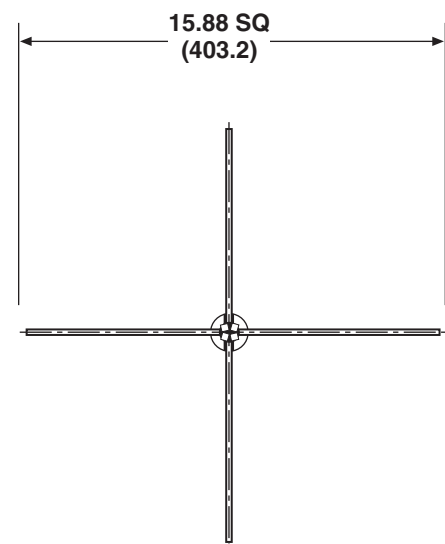
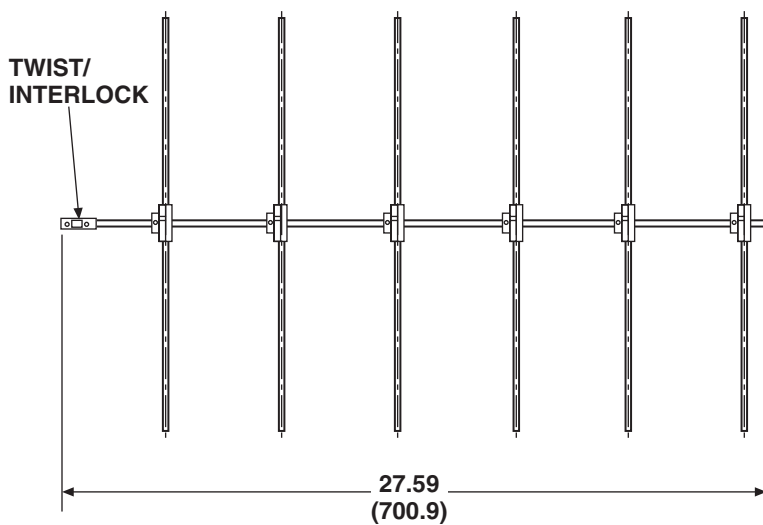
DM SE109 SERIES PORTABLE UHF ANTENNA SYSTEM

OUTLINE DIMENSIONS

Inches (Centimeters)



DM C120-6-1 OUTLINE



DM U244-1-1 OUTLINE